
CONTENTS
Page

1. Description, use	1
2. Range	1
3. Dimensions.....	1
4. General characteristics	2
5. Compliance and approvals.....	2
6. Equipment supplied	2
7. Installation add-ons.....	3

1. DESCRIPTION, USE

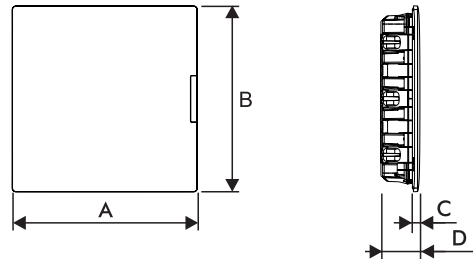
Flush-mounting cabinets with 1x18 to 4x18 modules, supplied with a flush-mounting box and door, for residential and small commercial installations.

Flush-mounted in brick, masonry or dry partition walls.

- Chassis equipped with rails, 150 mm fixing centres
- Faceplate can be removed one row at a time from cabinets with 2 or more rows
- Can be fitted with perforated plate and solid faceplate accessories for mounting non-modular products in cabinets with 2 or more rows
- Lockable door with lock to be ordered separately

2. RANGE

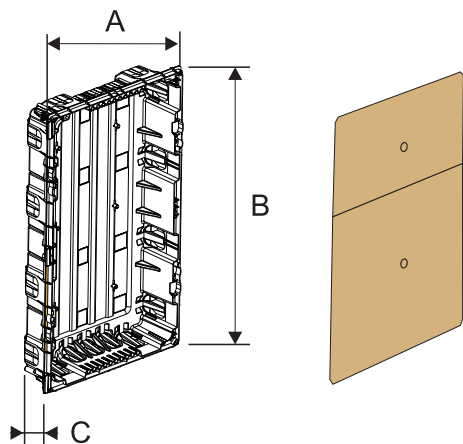
Cat. No.	Rows	Modules	Door	Terminal block
4 017 06	1	18	Smoked	E
4 017 07	2	18	Smoked	E
4 017 08	3	18	Smoked	E
4 017 09	4	18	Smoked	E
4 017 16	1	18	White	E
4 017 17	2	18	White	E
4 017 18	3	18	White	E
4 017 19	4	18	White	E
4 017 56	1	18	Smoked	E + N
4 017 57	2	18	Smoked	E + N
4 017 58	3	18	Smoked	E + N
4 017 59	4	18	Smoked	E + N
4 017 66	1	18	White	E + N
4 017 67	2	18	White	E + N
4 017 68	3	18	White	E + N
4 017 69	4	18	White	E + N

3. DIMENSIONS
3.1 Cabinets


Cat. No.	A (mm)	B (mm)	C (mm)	D (mm)
4 017 06	493	288	20	105
4 017 07	493	496	20	105
4 017 08	493	650	20	111
4 017 09	493	800	20	111
4 017 16	493	288	20	105
4 017 17	493	496	20	105
4 017 18	493	650	20	111
4 017 19	493	800	20	111
4 017 56	493	288	20	105
4 017 57	493	496	20	105
4 017 58	493	650	20	111
4 017 59	493	800	20	111
4 017 66	493	288	20	105
4 017 67	493	496	20	105
4 017 68	493	650	20	111
4 017 69	493	800	20	111

3. DIMENSIONS (continued)**■ 3.2 Flush-mounting boxes**

Supplied with a protective carton



Cat. No.	A (mm)	B (mm)	C (mm)
4 017 06/16/56/66	436	248	85
4 017 07/17/57/67	436	456	85
4 017 08/18/58/68	436	606	91
4 017 09/19/59/69	436	756	91

■ 3.3 Cut-out for flush-mounting the box

Cat. No.	Dry partition wall		Brick/masonry wall	
	A (mm)	B (mm)	A (mm)	B (mm)
4 017 06	437	249	> 437	> 249
4 017 07	437	457	> 437	> 457
4 017 08	437	607	> 437	> 607
4 017 09	437	757	> 437	> 757
4 017 16	437	249	> 437	> 249
4 017 17	437	457	> 437	> 457
4 017 18	437	607	> 437	> 607
4 017 19	437	757	> 437	> 757
4 017 56	437	249	> 437	> 249
4 017 57	437	457	> 437	> 457
4 017 58	437	607	> 437	> 607
4 017 59	437	757	> 437	> 757
4 017 66	437	249	> 437	> 249
4 017 67	437	457	> 437	> 457
4 017 68	437	607	> 437	> 607
4 017 69	437	757	> 437	> 757

4. GENERAL CHARACTERISTICS**■ 4.1 Technical characteristics**

- Colour of front covers and opaque doors: White RAL 9003
- Colour of flush-mounting box: Green RAL 6011
- Protection index:
 - IP30 - IK05 without door
 - IP40 - IK07 with door
- Self-extinguishing:
 - Flush-mounting boxes for dry partition: 850°C
 - Chassis, front covers and faceplates: 850°C
 - Doors: 750°C
- Class II double insulation
- Rated operating voltage: 400 V AC - 50/60 Hz
- Rated insulation voltage: 400 V AC - 50/60 Hz
- Short-circuit current: 10 kA
- Storage temperature: -20°C to +70°C
- Operating temperature: -10°C to +60°C
- Installation temperature: -25°C to +60°C
- Max. permissible current:
 - 1x18M (4 017 06/16/56/66): 90 A
 - 2x18M (4 017 07/17/57/67): 90 A
 - 3x18M (4 017 08/18/58/68): 125 A
 - 4x18M (4 017 09/19/59/69): 125 A
- Dissipated power:
 - 1x18M (4 017 06/16/56/66): 41 W
 - 2x18M (4 017 07/17/57/67): 62 W
 - 3x18M (4 017 08/18/58/68): 70 W
 - 4x18M (4 017 09/19/59/69): 78 W
- Flush-mounting box equipped with knockouts for cable entry
- Insulated terminal blocks can be fixed on the flush-mounting box or on a 12x2 mm flat bar

■ 4.2 Materials

- Flush-mounting box, cover, faceplate, rail supports: HI polystyrene
- Door, ¼ turn screw: Polycarbonate
- Hinges: Polyamide 6.6
- Rails: Galvanised steel

5. COMPLIANCE AND APPROVALS

Complies with IEC 60670-24
Complies with ROHS and REACH directives
For creating assemblies compliant with IEC 61439-3

6. EQUIPMENT SUPPLIED**■ 6.1 IP2 screw terminal blocks**

Cat. No.	IP2 E	IP2 N
4 017 06/16	1x25 ² + 12x16 ²	not present
4 017 07/17	1x25 ² + 16x16 ²	not present
4 017 08/18	1x25 ² + 21x16 ²	not present
4 017 09/19	2x25 ² + 33x16 ²	not present
4 017 56/66	1x25 ² + 12x16 ²	1x25 ² + 12x16 ²
4 017 57/67	1x25 ² + 16x16 ²	2 x (8x16 ²)
4 017 58/68	1x25 ² + 21x16 ²	3 x (8x16 ²)
4 017 59/69	2x25 ² + 33x16 ²	4 x (8x16 ²)

6. EQUIPMENT SUPPLIED (continued)

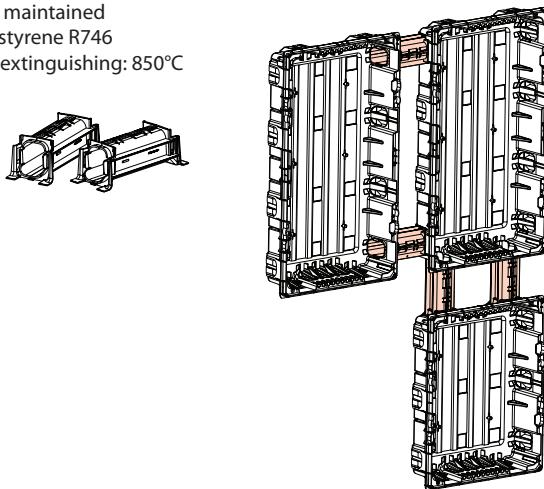
■ **6.2 Blanking plates**
Colour: White RAL 9003

Cat. No.	Number of blanking plates
4 017 07/17/57/67	2 x 5M
4 017 08/18/58/68	
4 017 09/19/59/69	

7. INSTALLATION ADD-ONS

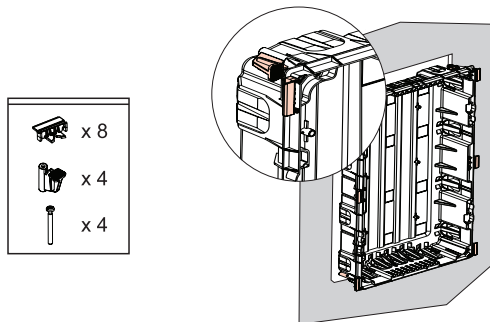
■ **7.1 Joining kit Cat. No. 4 017 23**

Set of 2
Used to link cabinets horizontally and vertically
Compatible with brick/masonry walls
IP40 maintained
Polystyrene R746
Self-extinguishing: 850°C



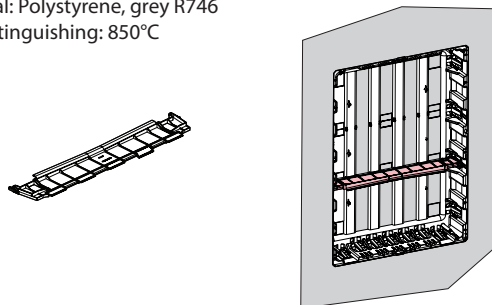
■ **7.2 Fixing lugs for dry partition Cat. No. 4 017 24**

Accessory for fixing the cabinet in a dry partition wall



■ **7.3 Horizontal separation divider Cat. No. 4 017 22**

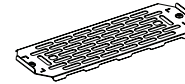
For installation in 18-module cabinets with 2, 3 and 4 rows
Material: Polystyrene, grey R746
Self-extinguishing: 850°C



7. INSTALLATION ADD-ONS (continued)

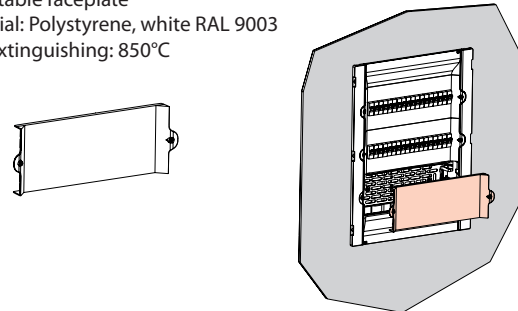
■ **7.4 Perforated plate Cat. No. 4 017 26**

Used to replace the DIN rail when integrating non-modular products
For installation in 18-module cabinets with 2, 3 and 4 rows -
Height 150 mm
Material: galvanised steel



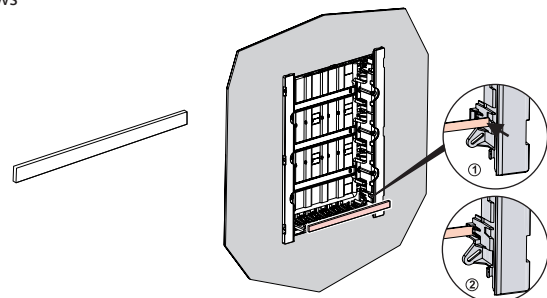
■ **7.5 Solid faceplate Cat. No. 4 017 25**

Finishing accessory for non-modular devices
For installation in 18-module cabinets with 2, 3 and 4 rows
Adjustable faceplate
Material: Polystyrene, white RAL 9003
Self-extinguishing: 850°C



■ **7.6 Flat bar Cat. No. 4 017 27**

Takes IP 2X terminal blocks
Length: 366 mm
Fixes directly onto the chassis of 18-module cabinets with 2, 3 and 4 rows



■ **7.7 Locking bolt Cat. No. 0 019 66**



■ **7.8 Blanking plates**

Can be separated for each module or half-module
Colour: White RAL 9003
Self-extinguishing: 850°C

Cat. No. 0 016 60: 5 modules

Cat. No. 0 016 62: 13 modules

Cat. No. 0 016 64: 18 modules

